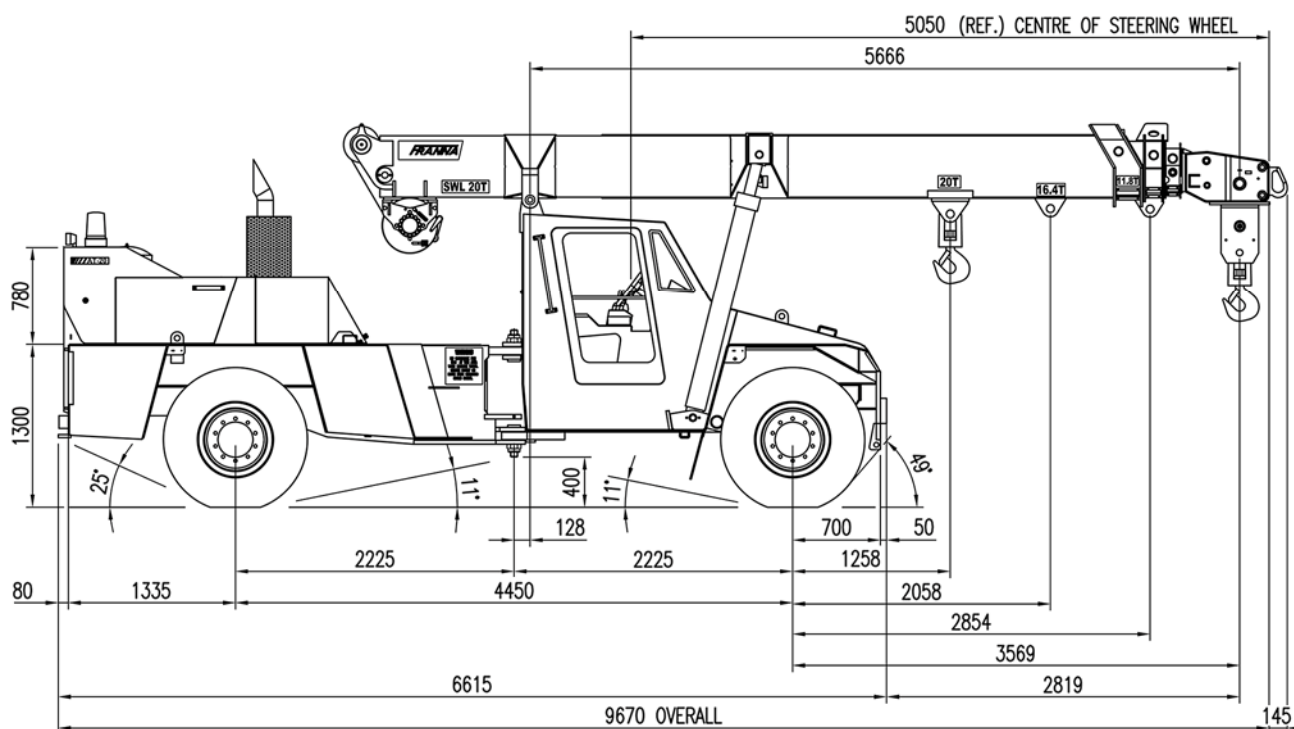
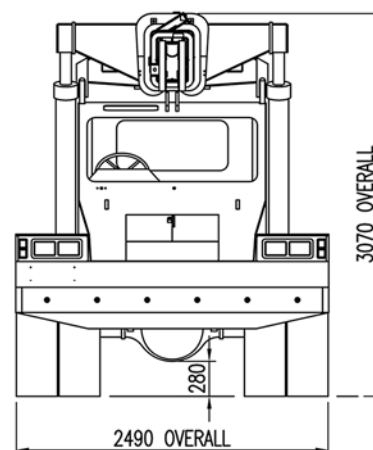


## AT-20 DIMENSIONS



Front Axle Weight	=	8,000 kg
Rear Axle Weight	=	11,500 kg
Total Weight	=	19,500 kg
Turning Radius	=	7,400 mm

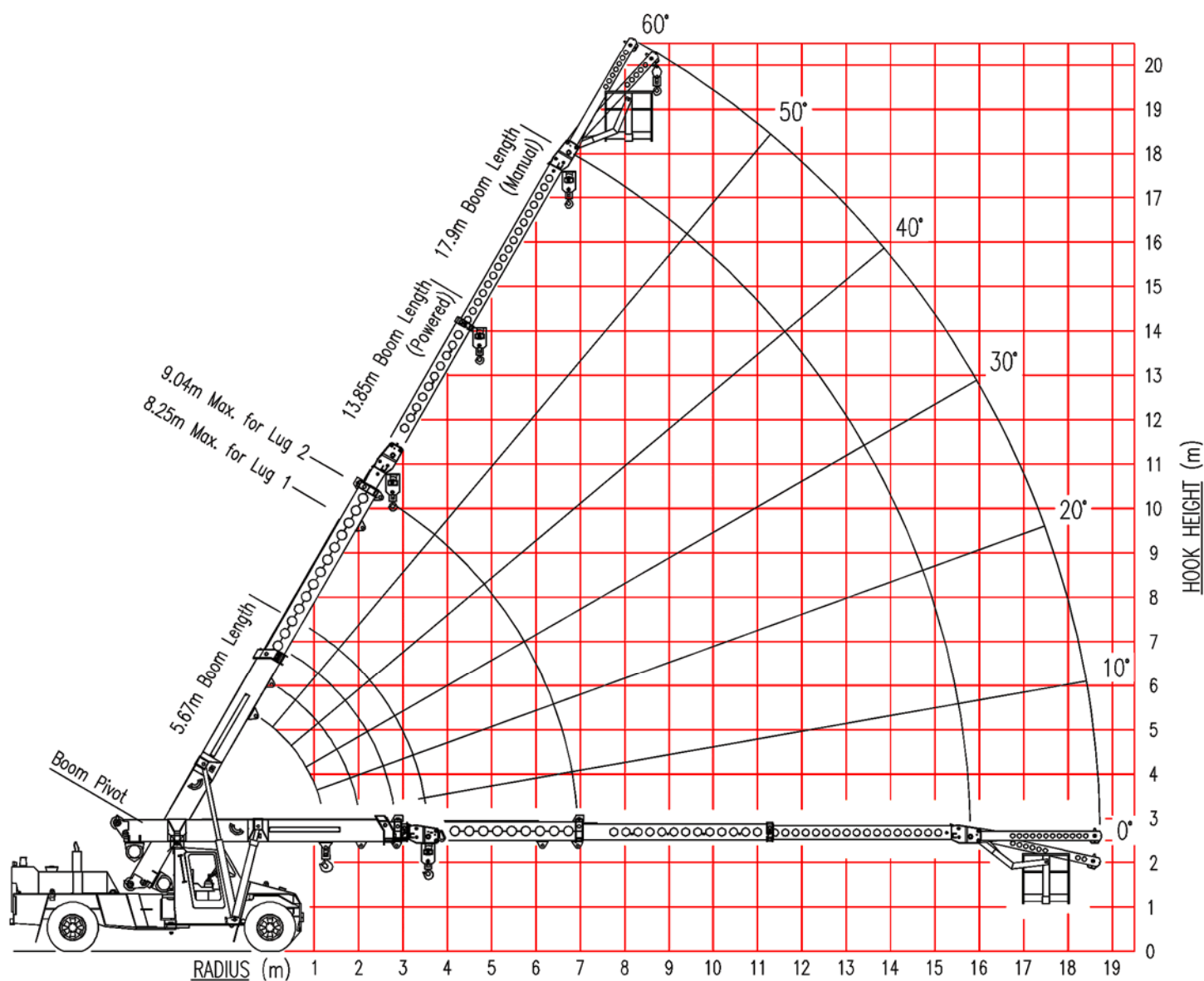


# DIMENSIONS

AT-20 FRANNA

# STEWART & SONS STEEL

## RANGE DIAGRAM - ALL LIFT CONFIGURATIONS



# WORKING RANGES

## AT-20 FRANNA

## STEWART & SONS STEEL

### LIFTING ON WINCH

RADIUS	BOOM LENGTH (m)																	
	5.67	6.00	6.50	7.00	7.50	8.00	8.50	9.00	9.50	10.00	10.50	11.00	11.50	12.00	12.50	13.00	13.50	13.85
1.6	16800	16250	15450	14900														
	12600	12600	12600	12600														
2.0	48	51	54	57														
	16800	16800	16500	15700	15100	14700	14350											
2.5	12600	12600	12600	12600	12600	12600	12600											
	42	46	50	53	56	58	60											
3.0	13900	13900	13900	13850	13850	13850	13850	13200	13000									
	12150	12150	12100	12100	12100	12100	12100	12050	12050									
3.5	34	39	44	48	51	54	56	58	60									
	11450	11450	11450	11400	11400	11400	11400	11400	11150	10250								
4.0	9950	9950	9950	9950	9950	9950	9900	9900	9900	9900								
	25	31	37	42	46	49	52	55	57	59	60							
4.5	9650	9650	9650	9650	9650	9650	9650	9650	9650	9650	9500	8150	7500					
	8	20	29	36	41	45	48	51	53	55	57	59	60					
5.0	8400	8400	8400	8400	8400	8400	8400	8400	8350	8350	8350	8150	7500					
	3.57	3.90	19	28	35	39	43	47	49	52	54	56	57	59	60			
5.5			7500	7300	7300	7300	7300	7300	7300	7300	7300	7150	6550	6250	6050	5800	5650	
			6500	6350	6350	6350	6350	6300	6300	6300	6300	6300	6300	6250	6050	5800	5650	
6.0			(4.40)	19	27	34	38	42	45	48	50	52	54	56	58	59	60	
				6650	6500	6500	6500	6500	6500	6500	6500	6500	6500	6150	5900	5650	5450	5300
6.5				5750	5600	5600	5600	5600	5600	5600	5600	5600	5600	5600	5600	5450	5300	5150
				(4.90)	18	27	33	37	41	44	47	49	51	53	55	56	58	59
7.0					5950	5350	5250	5250	5250	5250	5250	5250	5250	5250	5050	4850	4700	4600
					5100	4600	4550	4550	4550	4500	4500	4500	4500	4500	4500	4500	4500	4500
7.5					(5.40)	(5.90)	17	25	31	35	39	42	45	47	49	51	53	54
							4850	4450	4400	4400	4400	4400	4400	4350	4350	4350	4200	3950
8.0							4200	3800	3750	3750	3750	3750	3750	3750	3750	3750	3750	3750
							(6.40)	(6.90)	16	24	29	34	37	40	43	45	47	48
8.5									4100	3750	3700	3700	3700	3700	3700	3700	3700	3600
									(7.40)	(7.90)	15	23	28	32	36	38	41	43
9.0											3500	3250	3200	3200	3200	3200	3200	3200
											(8.40)	(8.90)	15	22	27	31	34	36
9.5													3000	2800	2800	2800	2800	2800
													(9.40)	(9.90)	14	21	26	29
10.0															2650	2500	2450	2450
															(10.40)	(10.90)	13	18
10.5																	2350	2350
																	1950	1850
11.0																	(11.40)	(11.75)
11.75																		

LMI Duty  
Lifting on WINCH

01

- SWL (KG) LESS THAN 10 DEG ARTICULATION
- SWL (KG) GREATER THAN 10 DEG ARTICULATION
- BOOM ANGLE OR (RADIUS AT 0 DEG BOOM ANGLE)

Weight of slings & hook block to be added to load  
Read and understand warning notes before operating crane  
Loads above bold red line are structural

# LOAD CHARTS

AT-20 FRANNA