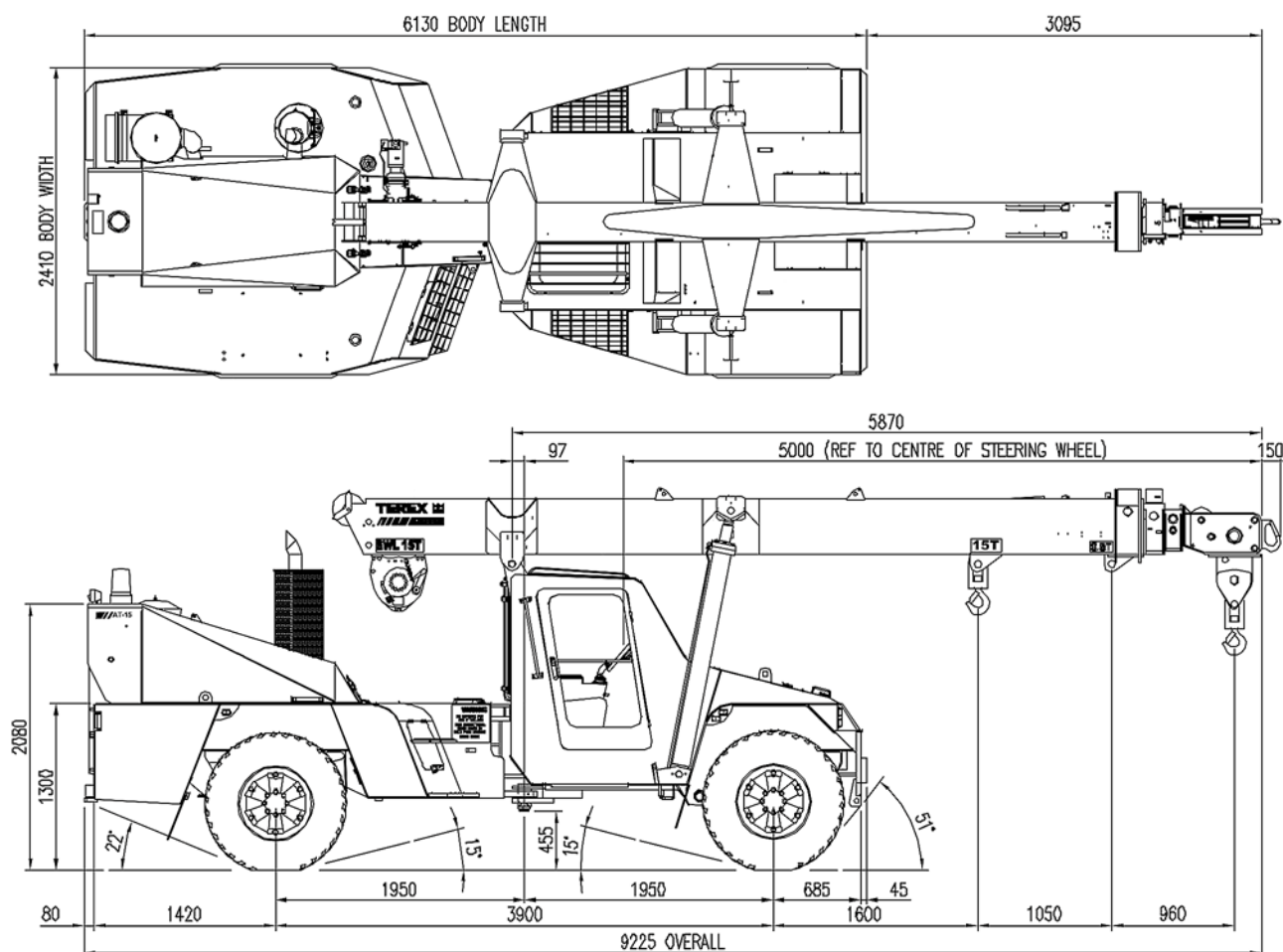
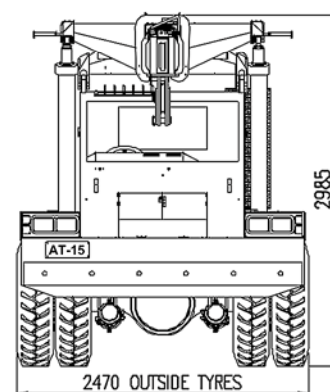


AT-15 DIMENSIONS



Front Axle Weight	=	6,000 kg
Rear Axle Weight	=	10,000 kg
Total Weight	=	16,000 kg
Turning Radius	=	6,600 mm

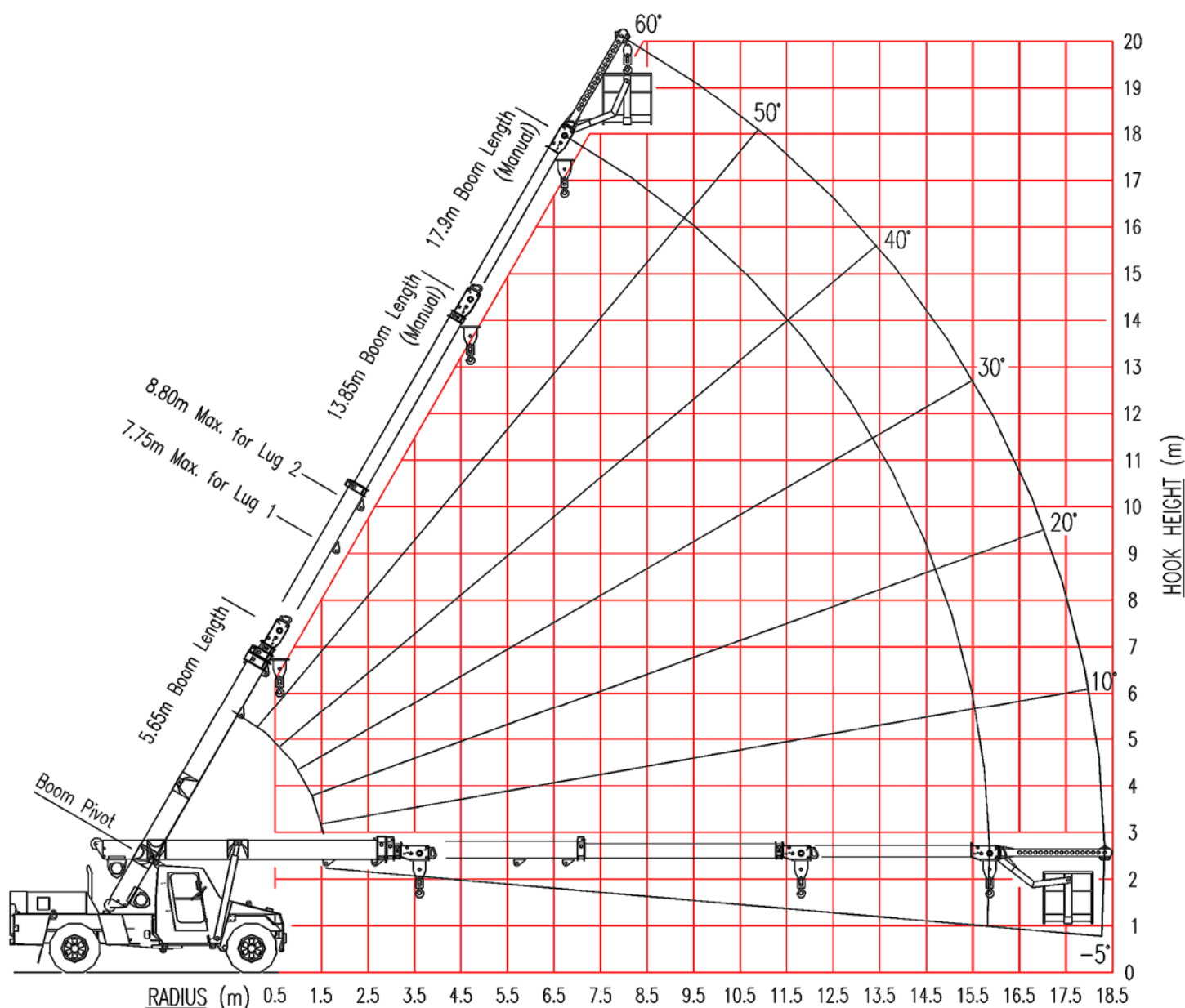


DIMENSIONS

AT-15 FRANNA

STEWART & SONS STEEL

RANGE DIAGRAM - ALL LIFT CONFIGURATIONS



WORKING RANGES

AT-15 FRANNA

LIFTING ON WINCH

RADIUS	BOOM LENGTH (m)																		
	5.66	6.00	6.50	7.00	7.50	8.00	8.50	9.00	9.50	10.00	10.50	11.00	11.50	12.00	12.50	13.00	13.50	13.86	
1.6	10500	10500	10500	10500	10500														
	10500	10500	10500	10500	10500														
2.0	48	50	54	57	59														
	10500	10500	10500	10500	10500	10500	10500												
2.5	42	46	50	53	56	58	60												
	10400	10350	10350	10350	10350	10350	10350	9950	9650										
3.0	34	39	44	48	51	54	56	58	60										
	8500	8500	8500	8500	8500	8500	8500	8500	8500	8300	7350								
3.5	25	31	37	42	46	49	52	55	57	58	60								
	7200	7200	7200	7200	7200	7200	7150	7150	7150	7150	6750	5950	5650						
4.0	9	20	30	36	41	45	48	51	53	55	57	59	60						
	6400	6400	6400	6400	6400	6400	6400	6400	6350	6350	6350	5950	5650						
4.5	6950	6250	6200	6200	6200	6200	6200	6200	6200	6150	6150	5500	5250	5000	4800				
	6150	5550	5500	5500	5500	5500	5500	5500	5500	5500	5500	5450	5250	5000	4800				
5.0	(3.61)	(3.95)	20	28	35	39	43	46	49	52	54	56	57	59	60				
			5450	5400	5400	5400	5400	5400	5400	5400	5400	5400	5150	4900	4650	4500	4300	4150	
6.0			4850	4800	4800	4800	4800	4800	4800	4800	4800	4800	4800	4800	4650	4500	4300	4150	
			(4.45)	19	28	34	38	42	45	48	50	52	54	56	57	59	60		
7.0			4850	4800	4800	4800	4800	4800	4800	4800	4800	4800	4800	4550	4350	4200	4050	3900	3800
			4300	4250	4250	4250	4250	4250	4250	4250	4250	4250	4250	4250	4200	4200	4050	3900	3800
8.0			(4.95)	18	27	33	37	41	44	47	49	51	53	55	56	58	59		
				4300	3900	3850	3850	3850	3850	3850	3850	3850	3850	3850	3850	3700	3550	3300	3200
9.0				3800	3450	3400	3400	3400	3400	3400	3400	3400	3400	3400	3400	3400	3300	3200	
				(5.45)	(5.95)	17	25	31	35	39	42	45	47	49	51	52	54		
10.0						3550	3200	3200	3200	3200	3200	3200	3200	3200	3200	3200	3050	2850	
						3100	2800	2800	2800	2800	2800	2800	2800	2800	2800	2800	2800	2800	
11.0						(6.45)	(6.95)	16	24	29	34	37	40	43	45	47	48		
								2950	2700	2700	2700	2700	2700	2700	2700	2700	2650	2600	
11.81								2600	2350	2350	2350	2350	2350	2350	2350	2350	2350	2350	
								(7.45)	(7.95)	16	23	28	32	36	38	41	43		
										2500	2300	2300	2300	2300	2300	2300	2300	2300	
										2200	2000	2000	2000	2000	2000	2000	2000	2000	
										(8.45)	(8.95)	15	22	27	31	34	36		
												2150	2000	2000	2000	2000	2000	2000	
												1850	1750	1750	1750	1750	1750	1750	
												(9.45)	(9.95)	14	21	26	29		
														1900	1750	1750	1750	1750	
														1600	1500	1500	1500	1500	
														(10.45)	(10.95)	14	19		
																1650	1550		
																1400	1350		
																(11.45)	(11.81)		

LMI Duty
Lifting on WINCH

01

- SWL (KG) LESS THAN 10 DEG ARTICULATION
- SWL (KG) GREATER THAN 10 DEG ARTICULATION
- BOOM ANGLE OR (RADIUS AT 0 DEG BOOM ANGLE)

Weight of slings & hook block to be added to load
Read and understand warning notes before operating crane
Loads above bold red line are structural

LOAD CHARTS

AT-15 FRANNA